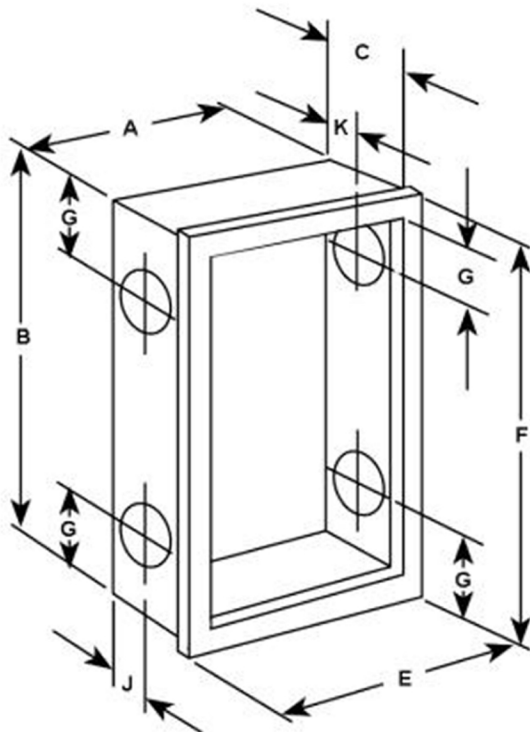
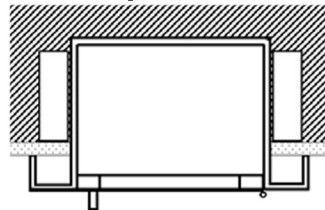


# SEMI-RECESSED STAINLESS STEEL SQUARE EDGE SUBMITTAL : DIMENSIONS

DOOR SERIES #	Tub I.D.			Frame O.D.		Wall Opening			Knockout Locations		
	A	B	C	E	F	W	H	D	J	G	H
6036	24	30	6	27 3/8	33 3/8	25	31	4 7/8	2 1/2	4	2 1/2
6136	24	30	8	27 3/8	33 3/8	25	31	6 1/4	4	4	2 1/2
6236	24	34 3/4	6	27 3/8	38 1/8	25	35 3/4	4 1/4	2 1/2	4	2 1/2
6436	24	34 3/4	8	27 3/8	38 1/8	25	35 3/4	6 7/8	4	4	2 1/2
6636	24	38 3/4	8	27 3/8	42 1/8	25	39 3/4	6 7/8	4	4	2 1/2
6336	30	30	8	33 3/8	33 3/8	31	31	6 7/8	4	4	2 1/2
6536	32 3/4	34 3/4	8	36 1/8	38 1/8	33 3/4	35 3/4	6 7/8	4	4	2 1/2
7236	32 3/4	38 3/4	8	36 1/8	42 1/8	33 3/4	39 3/4	6 7/8	4	4	2 1/2



Top View



Square Trim

Custom knockout locations available by request